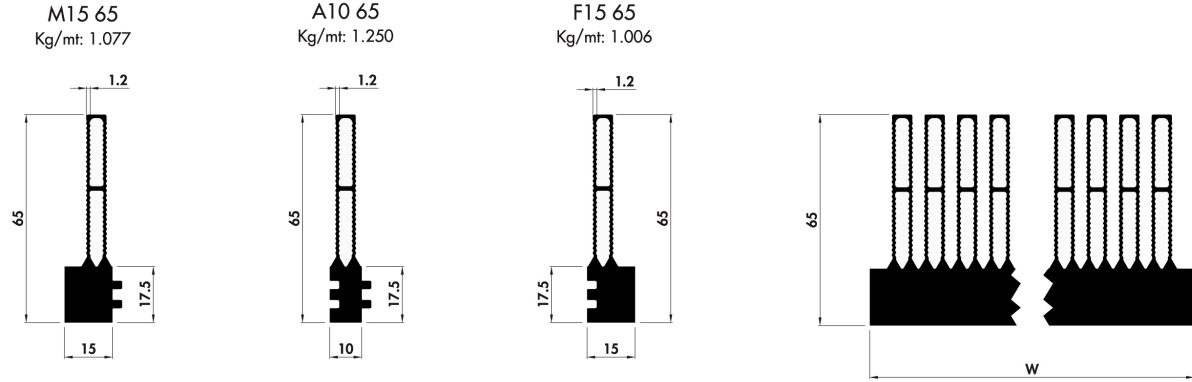
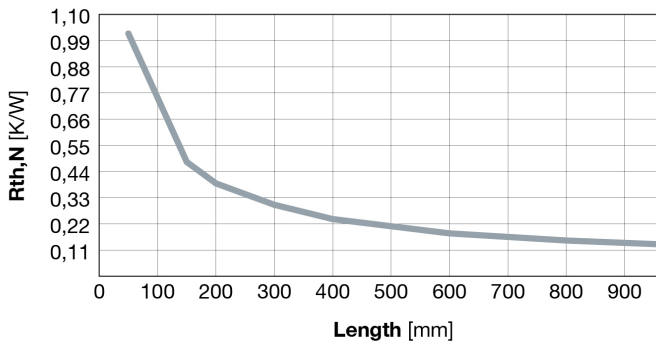


Power Products International
 Commerce Way
 Edenbridge
 Kent TN6 8ED
 www.ppi-uk.com
 E: info@ppi-uk.com
 T: +44(0)1732 866424

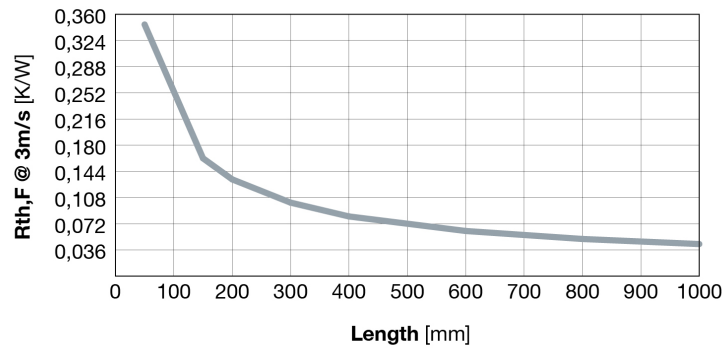


Thermal resistance values calculated for a 100mm ca. wide heat sink (W). Varying the heat sink width, the thermal resistance curves can be linearly approximated

Thermal Resistance - Natural convection



Thermal Resistance - Forced convection



Air speed correction factor

