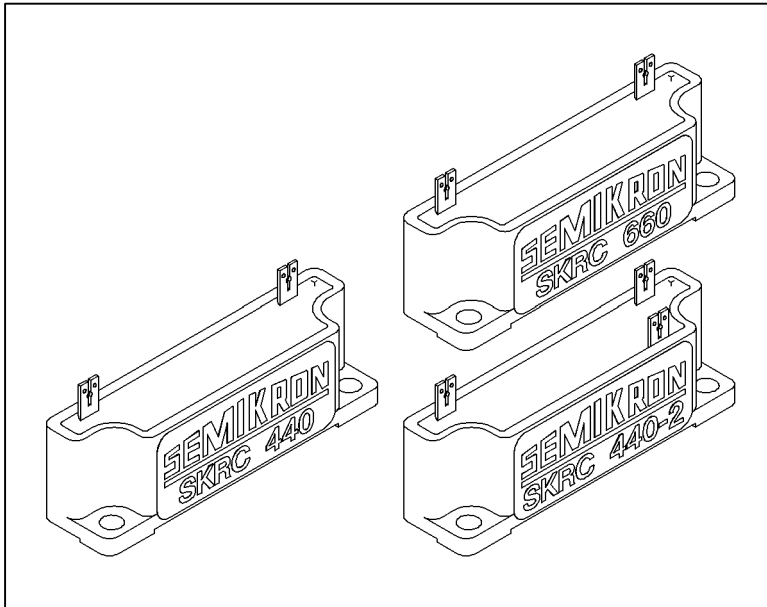


SEMIKRON

innovation+service



SKRC 440/660 are economic RC Snubber Networks for up to 500A RMS load current applications. The modules are primarily designed to limit the rate of rise of voltage spikes which may exceed the Dv/Dt rating of SCR's. Besides protection, the module will also assist in latching SCR's used for low level inductive load currents.

The SKRC Module can also be supplied incorporating an optional MOV * (Metal Oxide Varistor) forming an excellent protection unit for semiconductor devices against high energy level voltage spikes. The packaging concept allows modules to be mounted directly alongside SEMIPACKS and the electrical connections are made using 2.8mm push on connectors.

SKRC 440
SKRC 440-2
SKRC 660
Dv/Dt
SNUBBER
NETWORKS

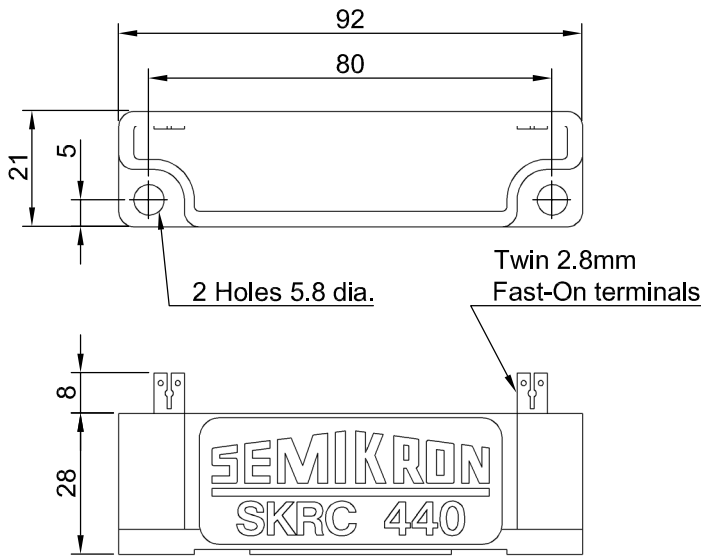
Features

- Low Cost
- 660V operation
- 440V operation
- MOV option *
- Compact Dimensions
- Semipack Semistack Compatible
- Encapsulated Module
- Easy Mounting
- UL Approved Materials

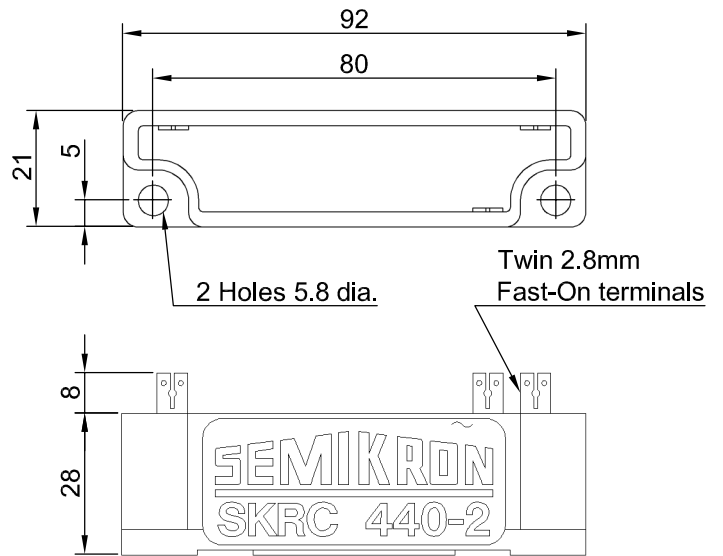
* To Special Order Only

Dv/Dt Suppression - will protect SCR's with Dv/Dt rating of 100V/uS nom.
 Operating Voltages SKRC 440 / SKRC440-2 = 440V RMS $\pm 10\%$
 SKRC 660 = 660V RMS $\pm 10\%$
 Operating Frequency 50/60Hz
 MOV (optional) 22-100 Joules
 Weight 75 grammes
 Temperature Range -40°C to $+50^{\circ}\text{C}$
 Mounting Holes 80mm centres, M5 screws
 Packing Encapsulation Materials UL94-VO

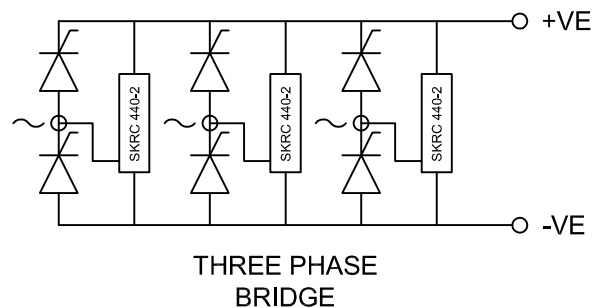
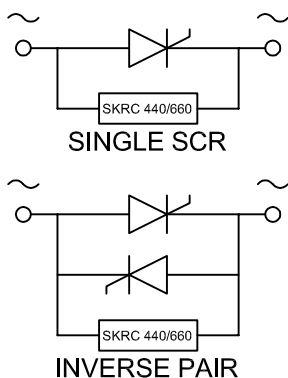
SKRC 440 & 660 Module Dimensions



SKRC 440-2 Module Dimensions



TYPICAL APPLICATIONS



Order Code

SKRC 440	Unit with Single RC Network
SKRC 440-2	Unit with Double RC Network
SKRC 660	Unit with Single RC Network

For MOV option state Joule rating required and system voltage.
 Special Order Only.

SEMIKRON

4 MARSHGATE DRIVE
 HERTFORD SG13 7BQ

Tel. 01992 584677
 Fax: 01992 554942