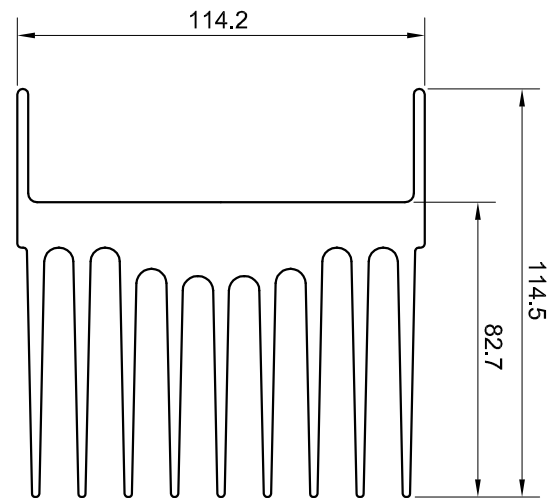


THERMAL RESISTANCE DATA. (SINK TO AMBIENT)

CONDITIONS: AIR NATURAL  
 MATERIAL: DM EXTRUSION TO DWG. 39-2432  
 (LENGTHS AS INDICATED)  
 WEIGHT: 11.15 Kg/m  
 C.S.A: 4125 mm<sup>2</sup>



NOTE: VALUES GIVEN ARE FOR PLAIN ALUMINIUM FINISH.  
 FOR BLACK ANODISED MULTIPLY VALUES x 0.9

