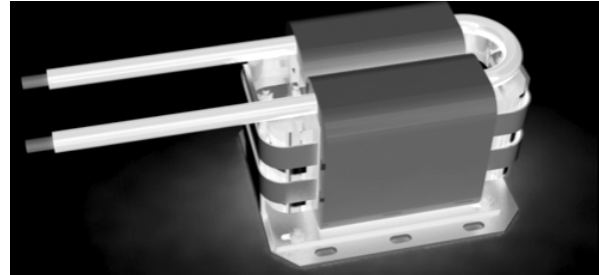


# AMC Series

High performances AC choke series for Renewable Energy Inverters

## Features

- High integration density for high inductance and current values
- High inductance value: 1 to 3mH
- Current rating : Up to 60Arms @50Hz
- Choke designed for 20% of current ripple @20kHz
- Operating temperature from -20°C to 70°C
- UL 1446 insulation system, UL 94V0 approved materials
- Possibility of customized of output terminals: racket, fast on, direct leads...



## Applications

- Inverters for Renewable Energy applications
- UPS inverters

## Electrical specifications

Code	L0 <sup>(1)</sup> INDUCTANCE ±10% (mH) at 1V/20kHz/0A	I <sub>RMS</sub> @50Hz MAX (A)	ΔI@20kHz MAX (A)	I <sub>PEAK</sub> <sup>(1, 2)</sup> MAX (A)	DCR <sup>(1)</sup> MAX (mΩ)	Total losses at 100°C (W)	Heating at Total losses (°C)
AMC10-1-30	1	30	9	47	17	40	50
AMC20-1-40	1	40	12	62	19	57	50
AMC32-1-50	1	50	14	78	12	65	45
AMC40-1-60	1	60	17	94	12	85	50
AMC10-2-20	2	20	6	32	55	38	45
AMC20-2-30	2	30	9	47	38	61	55
AMC40-2-40	2	40	12	62	18	76	45
AMC20-3-20	3	20	6	32	40	42	40
AMC32-3-30	3	30	9	47	40	74	50

## Notes

(1) All test data are referenced to 25°C ambient temperature

(2) Maximum current before drop of inductance value

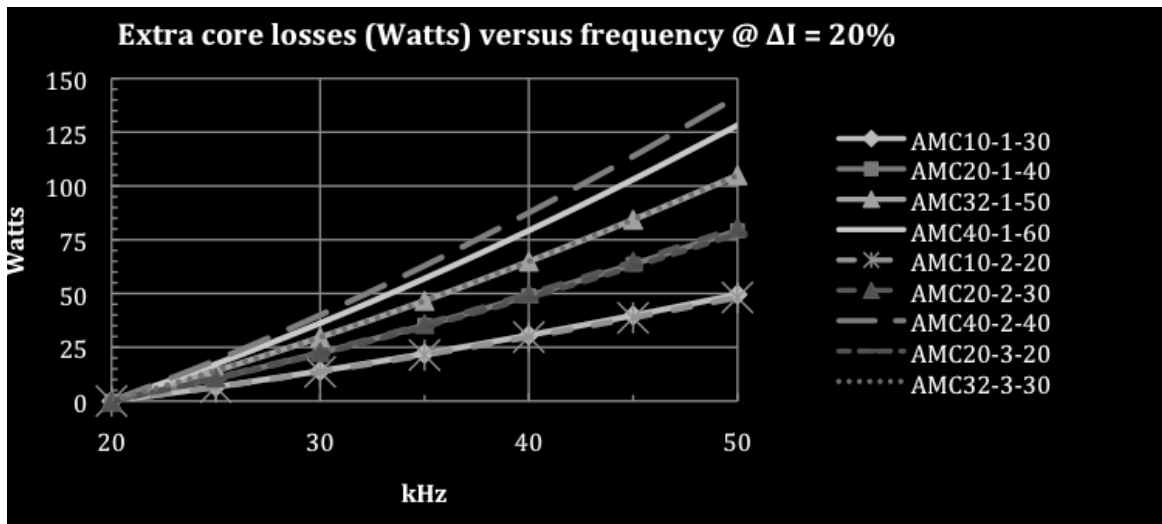
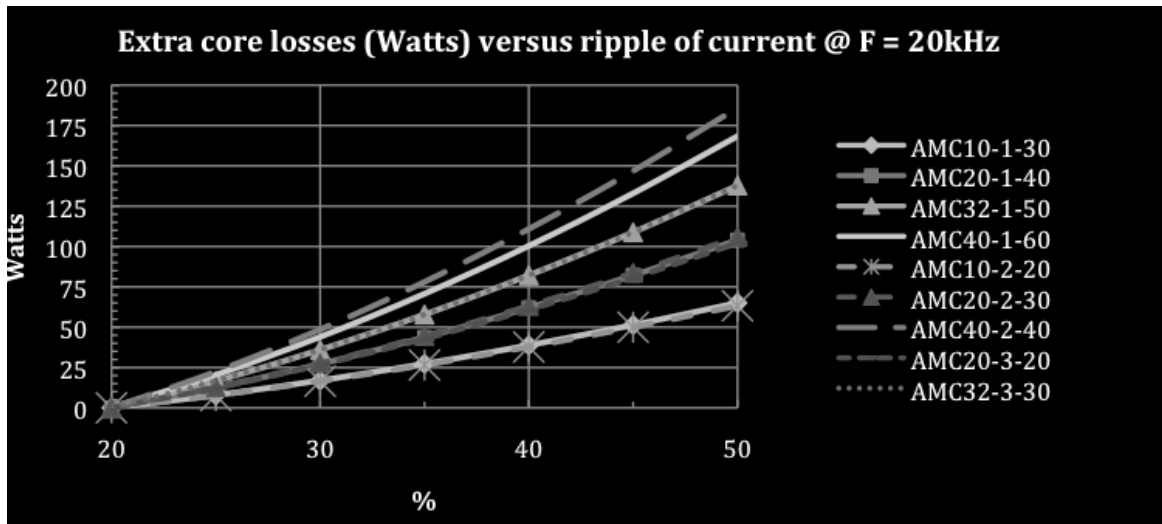
(3) Continuous operating temperature range must be within -25°C/+130°C (ambient + self heating) under worst case conditions

# AMC Series

High performances AC choke series for Renewable Energy Inverters

High Energy Storage Chokes

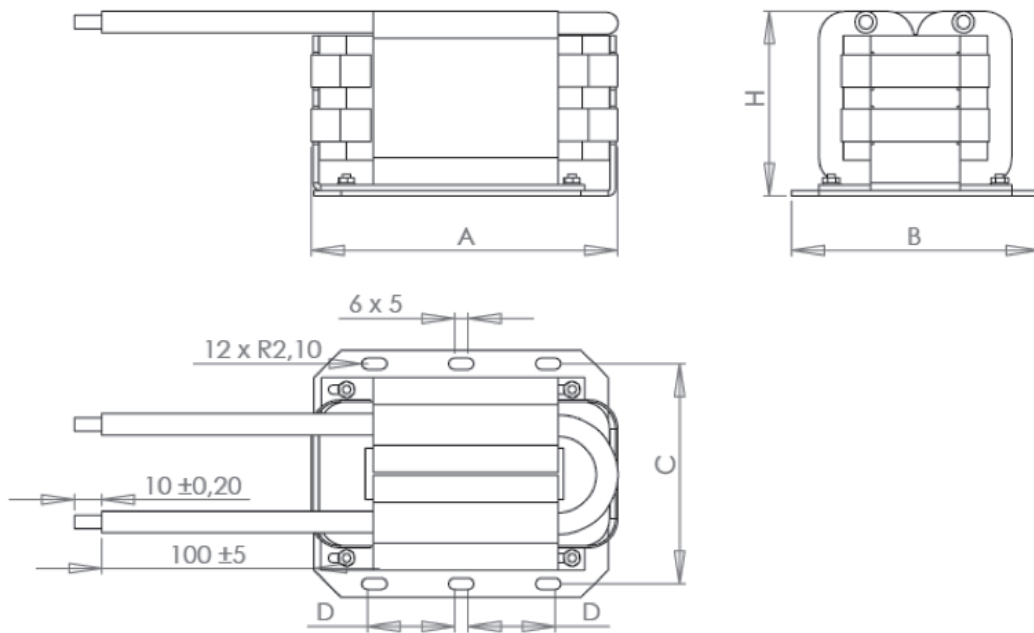
Typical performances versus ripple of current and frequency



# AMC Series

High performances AC choke series for Renewable Energy Inverters

## Dimensions (mm)



Code	A <sub>MAX</sub>	B <sub>MAX</sub>	C <sub>±0.2</sub>	D <sub>±0.2</sub>	H <sub>MAX</sub>
AMC10-X-XX	113	91	81	32	78
AMC20-X-XX	133	107	97	44	88
AMC32-X-XX	142	133	127	44	98
AMC40-X-XX	142	133	127	44	113

## Packaging

Antistatic trays with carton grids in carton box