



# HCT-500F

RoHS  
2002/95/EC

## Technical Specification

HALL EFFECT CURRENT TRANSDUCER OPEN LOOP  
HCT 500A/4V.  
HCT-500F

Edition	Changed by	Date	Change description
1 <sup>st</sup>	V.Repecho	08/03/10	First edition

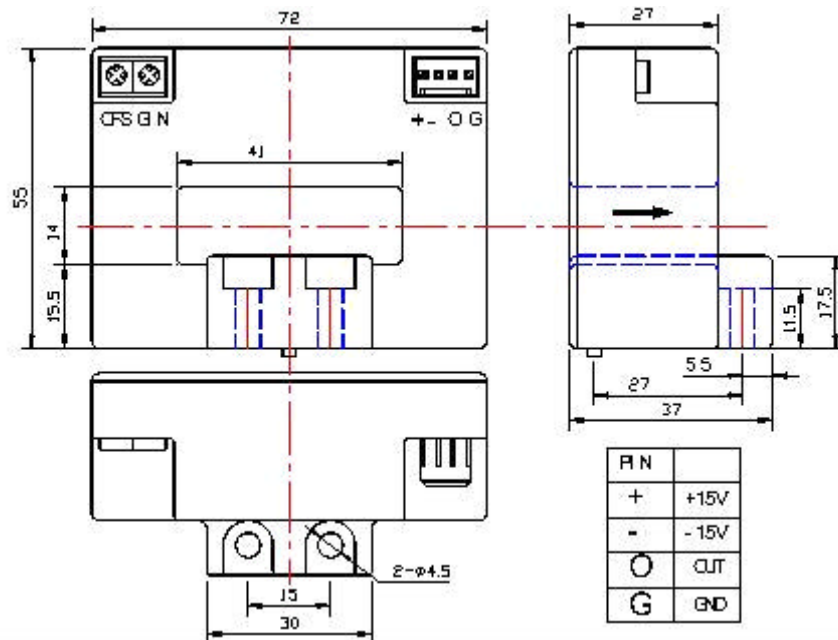


# HCT-500F

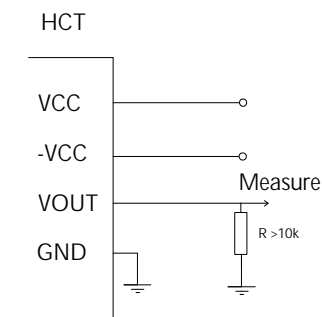
RoHS  
2002/95/EC

## 1. Dimensions

### HCT-500F



#### Connection recommended



#### Notes.

- General Tolerance  $\pm 0.5$  mm

- All dimensions and mechanical fixations are subjected to change depending on the customer necessities and PREMO Transducer Development.



# HCT-500F

RoHS  
2002/95/EC

## 2. Electrical Parameters

Primary Nominal Current	500 A RMS	$I_{pn}$
Measuring Range	$\pm 1200$ A DC	$I_p$
Secondary Nominal Voltage	4 V $\pm 1\%$ RMS	$V_s$
Supply Voltage ( $\pm 5\%$ )	$\pm 15$ V $\pm 5\%$	$V_{cc}$
Current Consumption	12 mA ( $V_{cc} = \pm 15$ V)	$I_{cc}$

## 3. Accuracy

Accuracy at $I_p$ $T = 25$ °C	$< \pm 1\%$	<b>a</b>
Linear Error ( Full Scale) $V_{cc} = \pm 24$ V, $R_b = 3$ Ohm	$< 1\%$	$e_{LLR}$
Offset Voltage	15mV Max	$V_{OS}$
Offset Voltage Drift	$< \pm 0.5$ mV/°C	$KI_{OS}$
Magnetic Offset Voltage	$\pm 30$ mV	$M_{OS}$
Time Response ( 10% to 90% of $I_p$ ) Related to $di/dt$ Specified	$< 5$ us	$T_R$

- \* Electrical Parameters and frequency response to be checked with samples.



# HCT-500F

RoHS  
2002/95/EC

## 4. Output Connector

Connection	MOLEX 5045-A04-A	
------------	------------------	--

## 5. General Data

Operating Temperature	-40 to +85 °C	$T_A$
Storage Temperature	-55 to +125 °C	$T_S$
Weight	230 g	
Basic Insulation (Between Primary and Measurement Current)	5000 V AC 50Hz 1'	$V_I$

## 6. Standards

-

## 7. Packaging

- Single Packaging.

# END OF DOCUMENT