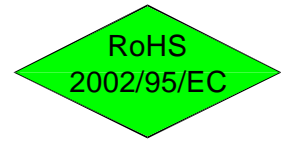




HCT-600BP2



Technical Specification

HALL EFFECT CURRENT TRANSDUCER 600A OPEN LOOP
VOLTAGE OUTPUT

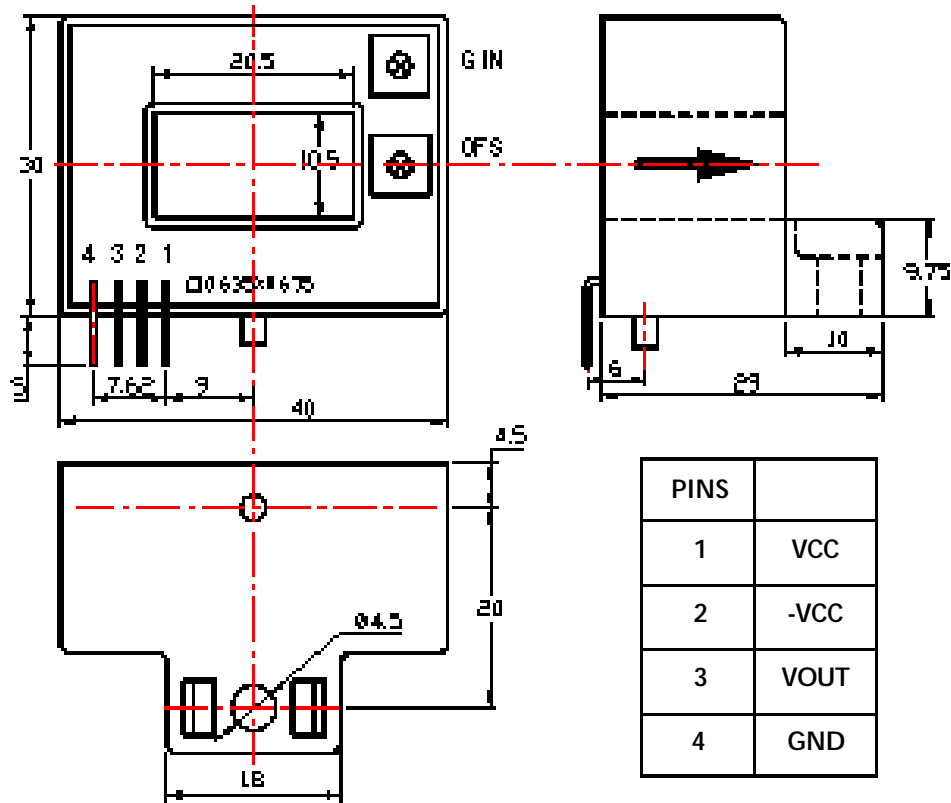
Edition	Changed by	Date	Change description
1 st	V.Repecho	16/04/09	First edition



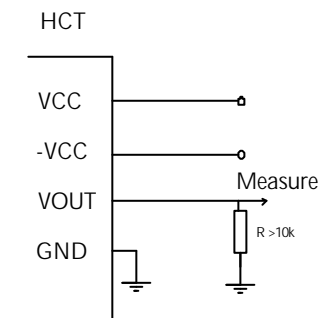
HCT-600BP2



1. Dimensions



Recommendation for Connection



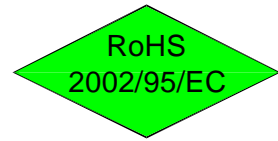
Notes.

- General Tolerance ± 0.5 mm

- All dimensions and mechanical fixations are subjected to change depending on the customer necessities and PREMO Transducer Development.



HCT-600BP2



2. Electrical Parameters

Primary Nominal Current	600 A DC	I _{p-n}
Measuring Range	± 1000 A DC	I _p
Secondary Nominal Voltage	4 V ±1% RMS	V _s
Supply Voltage (± 5 %)	± 15 V	V _{cc}
Current Consumption	12 mA (V _{cc} = ± 15 V)	I _{cc}

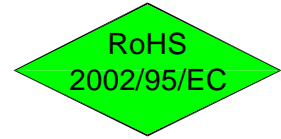
3. Accuracy

Accuracy at I _p T = 25 °C	< ± 1 %	a
Linear Error (2 to I _{p-n})	<1 %	e _{LLR}
Offset Voltage	± 25mV Max	V _{OS}
Offset Voltage Drift	± 0.5 mV/°C	KI _{OS}
Time Response (10% to 90% of I _p) Related to di/dt Speciflicated	< 3us	T _R
BandWidth	20 kHz	BW

- * Electrical Parameters and frequency response to be checked with samples.



HCT-600BP2



4. Output Connector

Connection	PTH	
------------	-----	--

5. General Data

Operating Temperature	-40 to +85 °C	T_A
Storage Temperature	-55 to +125 °C	T_S
Weight	65 g	
Basic Insulation (Between Primary and Measurement Current)	2500 V AC 50Hz 1'	V_I

6. Standards

-

7. Packaging

- Single Packaging.

END OF DOCUMENT